



NON CATALOGUED PART ENQUIRY FORM

Swaybar "D" Bushing Specification

Date _____

This information is sent from _____ Ph _____

Vehicle Make _____ Model _____

Build Date _____ Engine _____ 2WD / 4WD

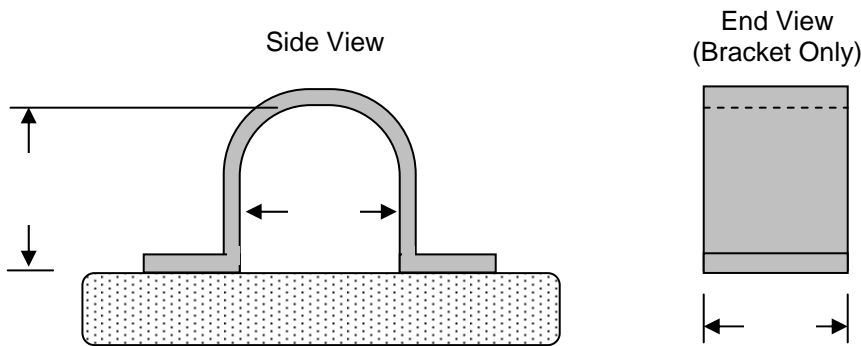
Chassis No _____ Application Front / Rear

Description _____

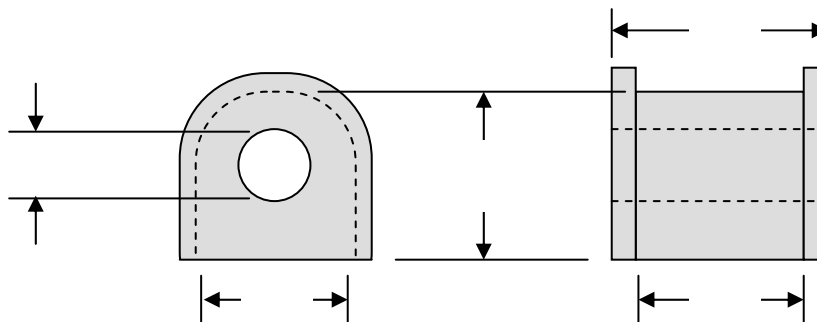
Original Manufacturer's Part No. (if known) _____

To help match bushings please measure original bushing or chassis and record all of the dimensions on the diagrams below. Please use one sheet per application.

Bracket / Chassis information (with bracket mounted in vehicle)



Original bushing information



Original Swaybar diameter _____ mm

Comments
